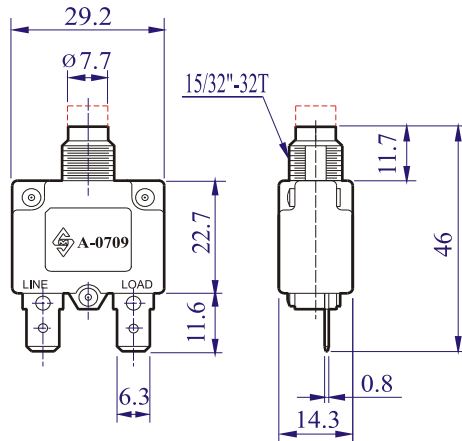




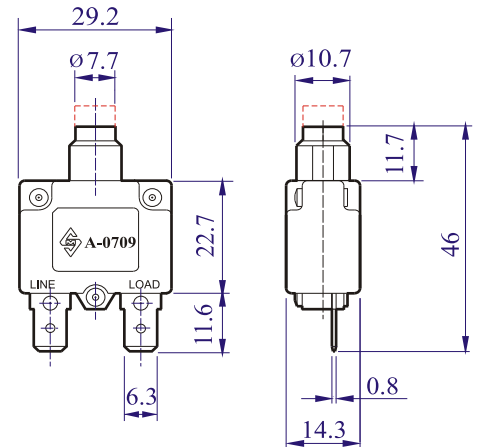
SERIES A-0709

Circuit Breaker | Overload Protector | No-Fuse Breaker

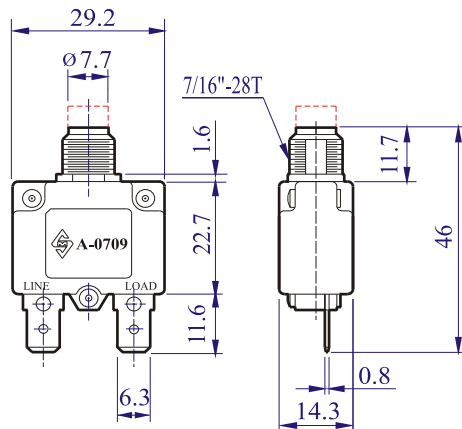
Sang Mao



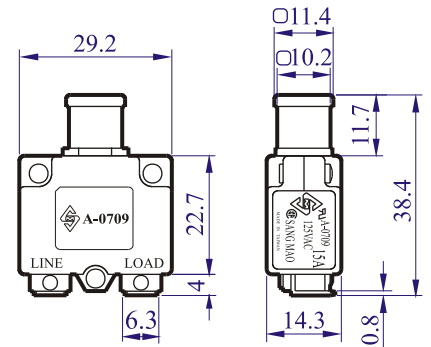
A-0709 HI



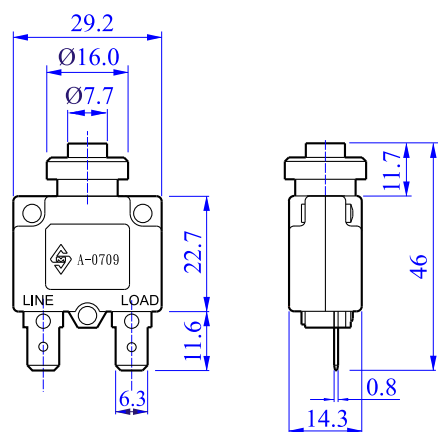
A-0709 HJ



A-0709 HP



A-0709 HQ



A-0709 RP

Order Part No. **A-0709** - -

Bushing Ampere Rating * ** ***

* Reset Button Color : B= Black , W= White , Y= Yellow , R= Red .

** Option Terminal Type : P= Plate , L= 90° Bend .

*** 200% Load Trip Delay Time : F= Fast (4"-10") , M= Middle (6"-18") , S= Slow (8"-30")

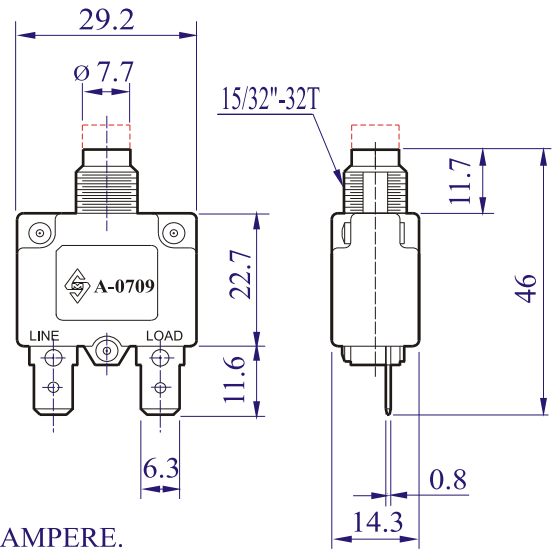




SERIES A-0709HI

Circuit Breaker | Overload Protector | No-Fuse Breaker

Sang Mao



DIMENSION IN mm

SPECIFICATIONS:

- * STANDARD RATING: **3-20 AMPERE.**
- * INPUT POWER: **24 VDC / 125 VAC / 250 VAC**
- * DIELECTRIC STRENGTH : **1500 VAC / 1 MINUTE**
- * INTERRUPT CAPACITY : **125VAC × 1000A, 250VAC × 1000A.**
- * RATED CONDITIONAL SHORT-CIRCUIT CURRENT :
IEC-60934 " PC.1 1000A "WITH " FUSE 16 A gL/g G "
- * INSULATION RESISTANCE : **> 100 MΩ**
- * CALIBRATION :
 - 25°C - **105% OF RATED CURRENT - CONTINUOUSLY CARRIED.**
 - 25°C - **BETWEEN 106% TO 134% - MAY TRIP OR NOT.**
 - 25°C - **135% OF RATED CURRENT - TRIP WITHIN 1 HOUR.**
 - 150% OF 3 ~ 4A-TRIP WITHIN 1 HOUR.**
 - 25°C - **200% OF RATED CURRENT - TRIP WITHIN 1 MINUTE**
- * CONTACT ENDURANCE: **125VAC × 150% OF RATED CURRENT - 500 CYCLES.**
- * **IEC - 60934** METHOD OF OPERATION : "**R**" = **AUTOMATIC INTERRUPTION AND NON-AUTOMATIC (MANUAL) RESETTING .**
- * **IEC - 60934** METHOD OF TRIPPING : "**TO**" = **THERMAL .**
- * DEGREE OF TRIP - FREE BEHAVIOUR : "**CYCLING TRIP - FREE**"
- * RESET: **MANUAL PUSH RESET**

DERATING FACTOR		
TEMP	3A ~ 4A	5A ~20A
60°C	--	× 0.50
55°C	--	× 0.60
50°C	--	× 0.70
45°C	× 0.45	× 0.75
40°C	× 0.55	× 0.80
35°C	× 0.70	× 0.86
30°C	× 0.80	× 0.92
25°C	× 1.00	× 1.00
20°C	× 1.10	× 1.06
15°C	× 1.20	× 1.09
10°C	× 1.35	× 1.20

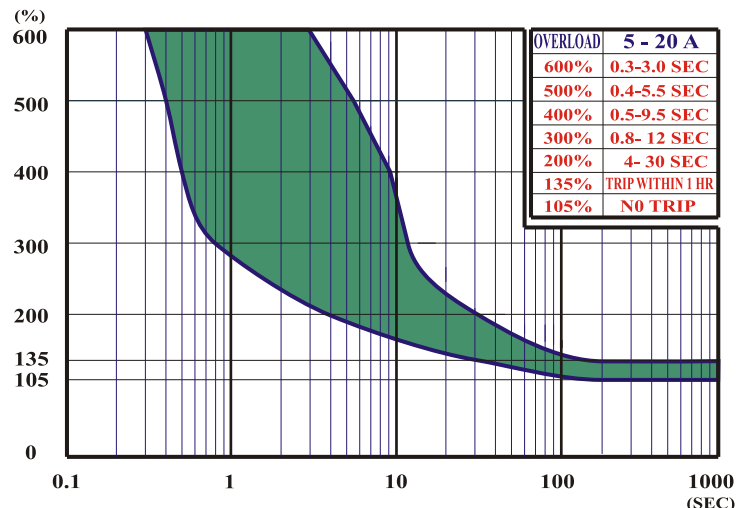
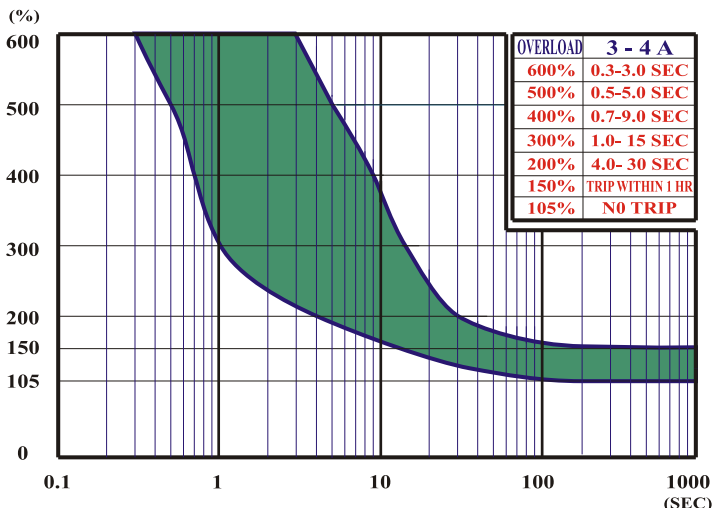
(FOR REFERENCE ONLY)

MAX. INTERNAL RESISTANCE	
3.0A- 4.0A	0.120 Ω
5.0A- 6.0A	0.100 Ω
7.0A- 8.0A	0.035 Ω
9.0A-10.0A	0.020 Ω
11.0A-12.0A	0.015 Ω
13.0A-14.0A	0.010 Ω
15.0A-16.0A	0.008 Ω
17.0A-20.0A	0.004 Ω

APPROVALS :

- U L** APPROVAL : **4 - 15A** 125VAC (250VAC PENDING)
- CSA** APPROVAL : **3 - 15A** 120VAC,60Hz TC2, OL0, SC:C1, 1kA, 125VAC

TRIP TIME CURVE (125VAC / 250VAC)

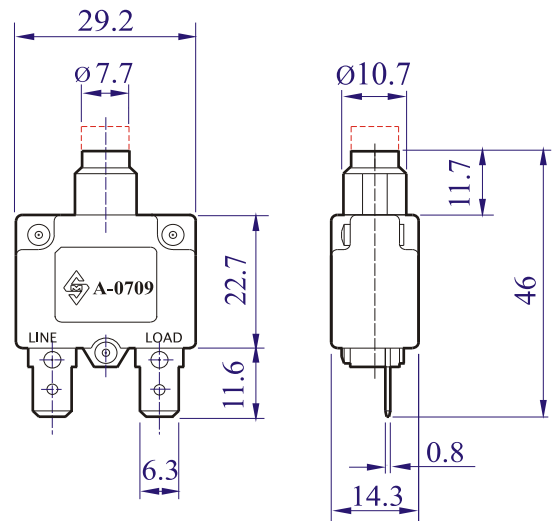




SERIES A-0709HJ

Circuit Breaker | Overload Protector | No-Fuse Breaker

Sang Mao



DIMENSION IN mm

SPECIFICATIONS:

DERATING FACTOR		
TEMP	3A ~ 4A	5A ~ 20A
60°C	--	× 0.50
55°C	--	× 0.60
50°C	--	× 0.70
45°C	× 0.45	× 0.75
40°C	× 0.55	× 0.80
35°C	× 0.70	× 0.86
30°C	× 0.80	× 0.92
25°C	× 1.00	× 1.00
20°C	× 1.10	× 1.06
15°C	× 1.20	× 1.09
10°C	× 1.35	× 1.20

(FOR REFERENCE ONLY)

MAX. INTERNAL RESISTANCE	
3.0A- 4.0A	0.120 Ω
5.0A- 6.0A	0.100 Ω
7.0A- 8.0A	0.035 Ω
9.0A-10.0A	0.020 Ω
11.0A-12.0A	0.015 Ω
13.0A-14.0A	0.010 Ω
15.0A-16.0A	0.008 Ω
17.0A-20.0A	0.004 Ω

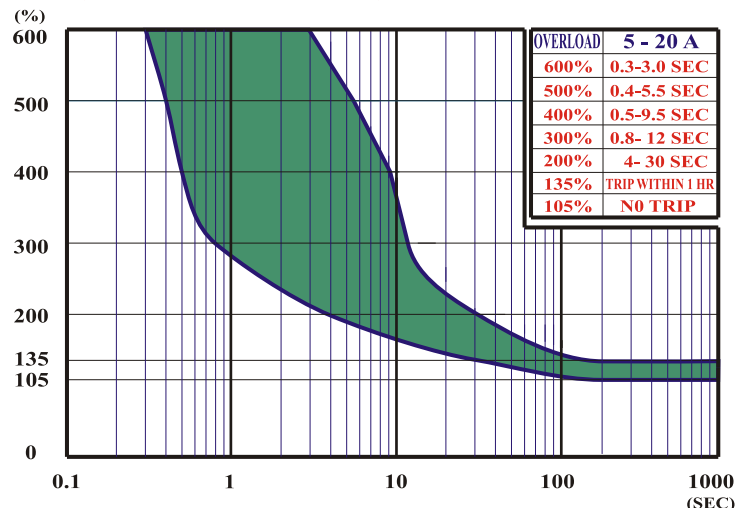
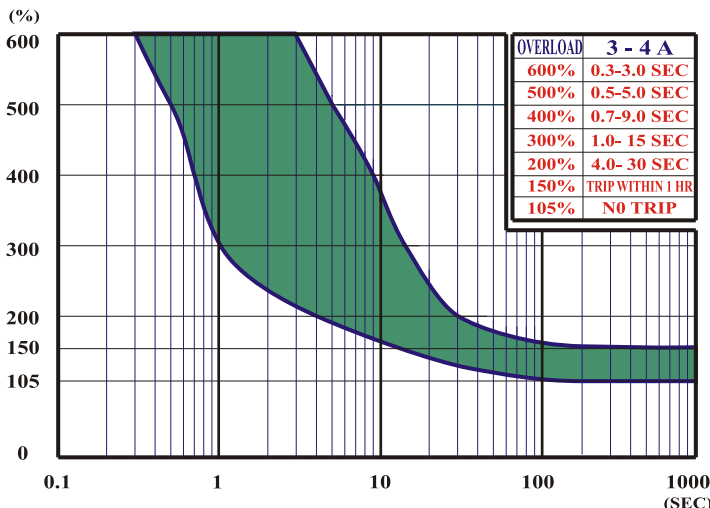
- * STANDARD RATING: **3-20** AMPERE.
- * INPUT POWER: **24 VDC / 125 VAC / 250 VAC**
- * DIELECTRIC STRENGTH : **1500 VAC / 1 MINUTE**
- * INTERRUPT CAPACITY : **125VAC × 1000A, 250VAC × 1000A.**
- * RATED CONDITIONAL SHORT-CIRCUIT CURRENT :
IEC-60934 " PC.1 1000A "WITH " FUSE 16 A gL/g G "
- * INSULATION RESISTANCE : **> 100 MΩ**
- * CALIBRATION :
25°C - **105% OF RATED CURRENT - CONTINUOUSLY CARRIED.**
25°C - **BETWEEN 106% TO 134% - MAY TRIP OR NOT.**
25°C - **135% OF RATED CURRENT - TRIP WITHIN 1 HOUR.**
150% OF 3 ~ 4A-TRIP WITHIN 1 HOUR.
25°C - **200% OF RATED CURRENT - TRIP WITHIN 1 MINUTE**
- * CONTACT ENDURANCE: **125VAC × 150% OF RATED CURRENT - 500 CYCLES.**
- * **IEC - 60934** METHOD OF OPERATION : "**R**" = **AUTOMATIC INTERRUPTION AND NON-AUTOMATIC (MANUAL) RESETTING .**
- * **IEC - 60934** METHOD OF TRIPPING : "**TO**" = **THERMAL .**
- * DEGREE OF TRIP - FREE BEHAVIOUR : "**CYCLING TRIP - FREE**"
- * RESET: **MANUAL PUSH RESET**

APPROVALS :

U L APPROVAL : **4 - 15A** 125VAC (250VAC PENDING)

CSA APPROVAL : **3 - 15A** 120VAC,60Hz TC2, OL0, SC:C1, 1kA, 125VAC

TRIP TIME CURVE (125VAC / 250VAC)

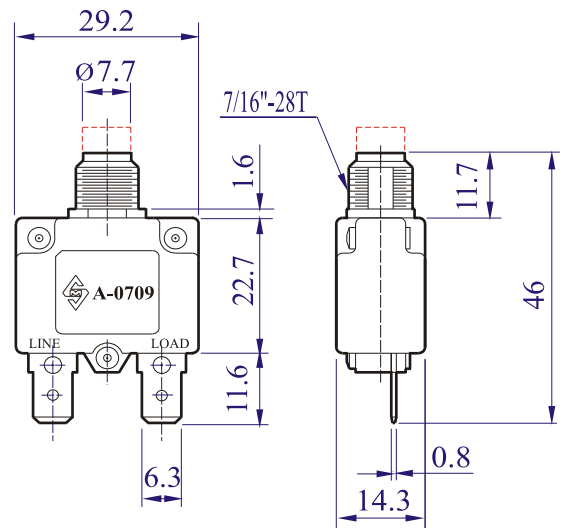




SERIES A-0709HP

Circuit Breaker | Overload Protector | No-Fuse Breaker

Sang Mao



DIMENSION IN mm

SPECIFICATIONS:

DERATING FACTOR		
TEMP	3A ~ 4A	5A ~ 20A
60°C	--	× 0.50
55°C	--	× 0.60
50°C	--	× 0.70
45°C	× 0.45	× 0.75
40°C	× 0.55	× 0.80
35°C	× 0.70	× 0.86
30°C	× 0.80	× 0.92
25°C	× 1.00	× 1.00
20°C	× 1.10	× 1.06
15°C	× 1.20	× 1.09
10°C	× 1.35	× 1.20

(FOR REFERENCE ONLY)

MAX. INTERNAL RESISTANCE	
3.0A- 4.0A	0.120 Ω
5.0A- 6.0A	0.100 Ω
7.0A- 8.0A	0.035 Ω
9.0A-10.0A	0.020 Ω
11.0A-12.0A	0.015 Ω
13.0A-14.0A	0.010 Ω
15.0A-16.0A	0.008 Ω
17.0A-20.0A	0.004 Ω

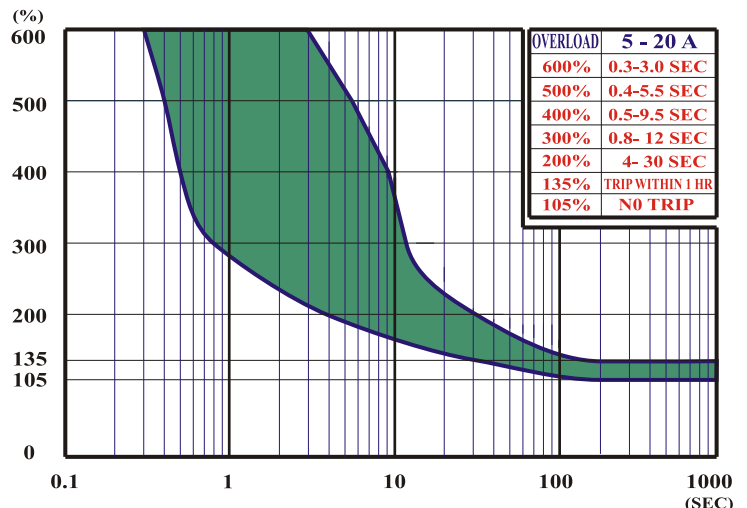
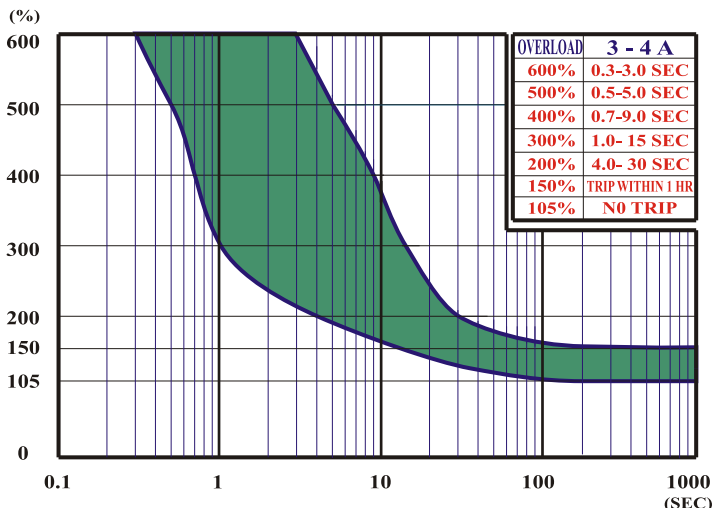
- * STANDARD RATING: **3-20 AMPERE.**
- * INPUT POWER: **24 VDC / 125 VAC / 250 VAC**
- * DIELECTRIC STRENGTH : **1500 VAC / 1 MINUTE**
- * INTERRUPT CAPACITY : **125VAC × 1000A, 250VAC × 1000A.**
- * RATED CONDITIONAL SHORT-CIRCUIT CURRENT :
IEC-60934 " PC.1 1000A "WITH " FUSE 16 A gL/g G "
- * INSULATION RESISTANCE : **> 100 MΩ**
- * CALIBRATION :
25°C - **105% OF RATED CURRENT - CONTINUOUSLY CARRIED.**
25°C - **BETWEEN 106% TO 134% - MAY TRIP OR NOT.**
25°C - **135% OF RATED CURRENT - TRIP WITHIN 1 HOUR.**
150% OF 3 ~ 4A-TRIP **WITHIN 1 HOUR.**
25°C - **200% OF RATED CURRENT - TRIP WITHIN 1 MINUTE**
- * CONTACT ENDURANCE: **125VAC × 150% OF RATED CURRENT - 500 CYCLES.**
- * **IEC - 60934** METHOD OF OPERATION : " R " = **AUTOMATIC INTERRUPTION AND NON-AUTOMATIC (MANUAL) RESETTING .**
- * **IEC - 60934** METHOD OF TRIPPING : " TO " = **THERMAL .**
- * DEGREE OF TRIP - FREE BEHAVIOUR : " **CYCLING TRIP - FREE** "
- * RESET: **MANUAL PUSH RESET**

APPROVALS :

U L APPROVAL : **4 - 15A** 125VAC (250VAC PENDING)

CSA APPROVAL : **3 - 15A** 120VAC, 60Hz TC2, OL0, SC:C1, 1kA, 125VAC

TRIP TIME CURVE (125VAC / 250VAC)

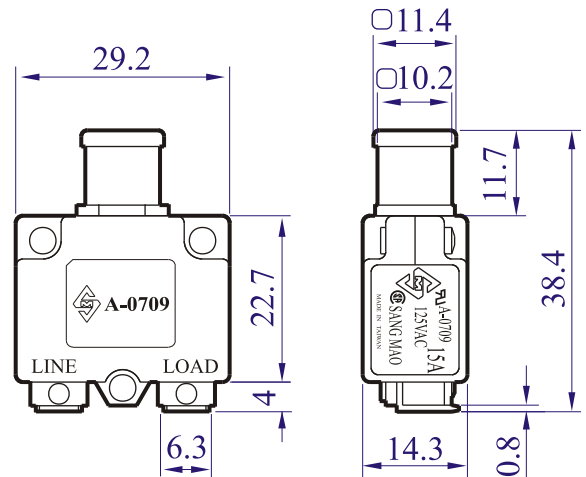




SERIES A-0709HQ

Circuit Breaker | Overload Protector | No-Fuse Breaker

Sang Mao



DIMENSION IN mm

SPECIFICATIONS:

DERATING FACTOR		
TEMP	3A ~ 4A	5A ~ 20A
60°C	--	× 0.50
55°C	--	× 0.60
50°C	--	× 0.70
45°C	× 0.45	× 0.75
40°C	× 0.55	× 0.80
35°C	× 0.70	× 0.86
30°C	× 0.80	× 0.92
25°C	× 1.00	× 1.00
20°C	× 1.10	× 1.06
15°C	× 1.20	× 1.09
10°C	× 1.35	× 1.20

(FOR REFERENCE ONLY)

MAX. INTERNAL RESISTANCE	
3.0A- 4.0A	0.120 Ω
5.0A- 6.0A	0.100 Ω
7.0A- 8.0A	0.035 Ω
9.0A-10.0A	0.020 Ω
11.0A-12.0A	0.015 Ω
13.0A-14.0A	0.010 Ω
15.0A-16.0A	0.008 Ω
17.0A-20.0A	0.004 Ω

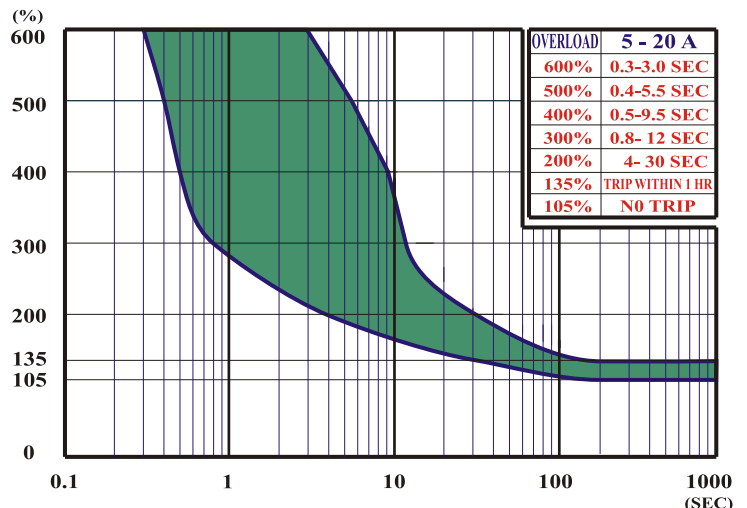
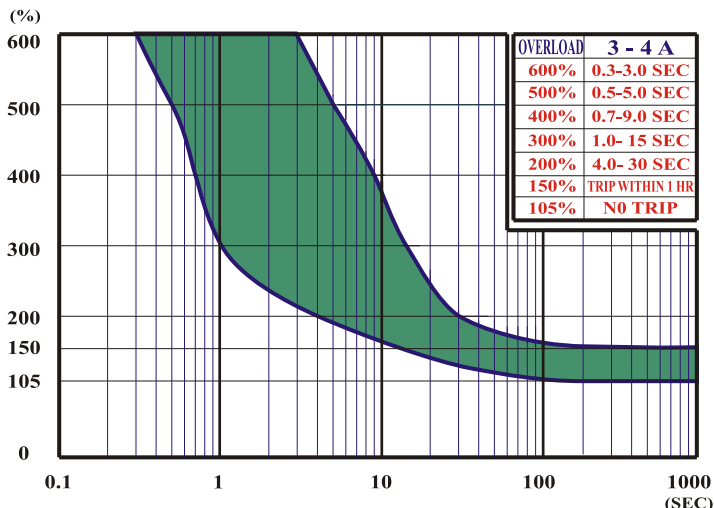
- ⊛ STANDARD RATING: **3-20 AMPERE.**
- ⊛ INPUT POWER: **24 VDC / 125 VAC / 250 VAC**
- ⊛ DIELECTRIC STRENGTH : **1500 VAC / 1 MINUTE**
- ⊛ INTERRUPT CAPACITY : **125VAC × 1000A, 250VAC × 1000A.**
- ⊛ RATED CONDITIONAL SHORT-CIRCUIT CURRENT :
IEC-60934 " PC.1 1000A "WITH " FUSE 16 A gL/g G "
- ⊛ INSULATION RESISTANCE : **> 100 MΩ**
- ⊛ CALIBRATION :
25°C - **105% OF RATED CURRENT - CONTINUOUSLY CARRIED.**
25°C - **BETWEEN 106% TO 134% - MAY TRIP OR NOT.**
25°C - **135% OF RATED CURRENT - TRIP WITHIN 1 HOUR.**
150% OF 3 ~ 4A-TRIP WITHIN 1 HOUR.
25°C - **200% OF RATED CURRENT - TRIP WITHIN 1 MINUTE**
- ⊛ CONTACT ENDURANCE: **125VAC × 150% OF RATED CURRENT - 500 CYCLES.**
- ⊛ **IEC - 60934** METHOD OF OPERATION : "**R**" = **AUTOMATIC INTERRUPTION AND NON-AUTOMATIC (MANUAL) RESETTING .**
- ⊛ **IEC - 60934** METHOD OF TRIPPING : "**TO**" = **THERMAL .**
- ⊛ DEGREE OF TRIP - FREE BEHAVIOUR : "**CYCLING TRIP - FREE**"
- ⊛ RESET: **MANUAL PUSH RESET**

APPROVALS :

U L APPROVAL : **4 - 15A** 125VAC (250VAC PENDING)

CSA APPROVAL : **3 - 15A** 120VAC,60Hz TC2, OL0, SC:C1, 1kA, 125VAC

TRIP TIME CURVE (125VAC / 250VAC)

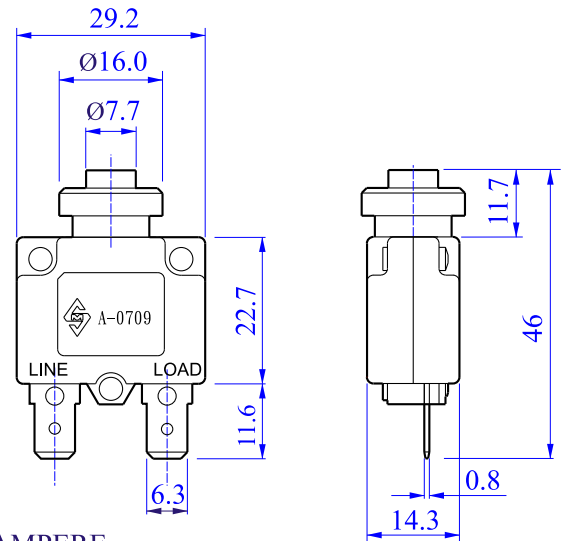




SERIES A-0709RP

Circuit Breaker | Overload Protector | No-Fuse Breaker

Sang Mao



DIMENSION IN mm

SPECIFICATIONS:

DERATING FACTOR		
TEMP	3A ~ 4A	5A ~ 20A
60°C	--	× 0.50
55°C	--	× 0.60
50°C	--	× 0.70
45°C	× 0.45	× 0.75
40°C	× 0.55	× 0.80
35°C	× 0.70	× 0.86
30°C	× 0.80	× 0.92
25°C	× 1.00	× 1.00
20°C	× 1.10	× 1.06
15°C	× 1.20	× 1.09
10°C	× 1.35	× 1.20

(FOR REFERENCE ONLY)

MAX. INTERNAL RESISTANCE	
3.0A- 4.0A	0.120 Ω
5.0A- 6.0A	0.100 Ω
7.0A- 8.0A	0.035 Ω
9.0A-10.0A	0.020 Ω
11.0A-12.0A	0.015 Ω
13.0A-14.0A	0.010 Ω
15.0A-16.0A	0.008 Ω
17.0A-20.0A	0.004 Ω

- * STANDARD RATING: **3-20** AMPERE.
- * INPUT POWER: **24 VDC / 125 VAC / 250 VAC**
- * DIELECTRIC STRENGTH: **1500 VAC / 1 MINUTE**
- * INTERRUPT CAPACITY: **125VAC × 1000A, 250VAC × 1000A.**
- * RATED CONDITIONAL SHORT-CIRCUIT CURRENT :
IEC-60934 " PC.1 1000A "WITH " FUSE 16 A gL/gG "
- * INSULATION RESISTANCE : **>100 MΩ**
- * CALIBRATION :
25°C - **105%** OF RATED CURRENT - CONTINUOUSLY CARRIED.
25°C - BETWEEN **106% TO 134%** - MAY TRIP OR NOT.
25°C - **135%** OF RATED CURRENT - TRIP **WITHIN 1 HOUR.**
150% OF 3 ~ 4A-TRIP **WITHIN 1 HOUR.**
25°C - **200%** OF RATED CURRENT - TRIP **WITHIN 1 MINUTE**
- * CONTACT ENDURANCE: **125VAC × 150%** OF RATED CURRENT -
500 CYCLES.
- * **IEC - 60934** METHOD OF OPERATION : " **R** " = **AUTOMATIC INTER-
RUPTION AND NON-AUTOMATIC (MANUAL) RESETTING .**
- * **IEC - 60934** METHOD OF TRIPPING : " **TO** " = **THERMAL .**
- * DEGREE OF TRIP - FREE BEHAVIOUR : " **CYCLING TRIP - FREE** "
- * RESET: MANUAL PUSH RESET

APPROVALS :

U L APPROVAL : **4 - 15A** 125VAC (250VAC PENDING)

CSA APPROVAL : **3 - 15A** 120VAC,60Hz TC2, OL0, SC:C1, 1kA, 125VAC

TRIP TIME CURVE (125VAC / 250VAC)

